



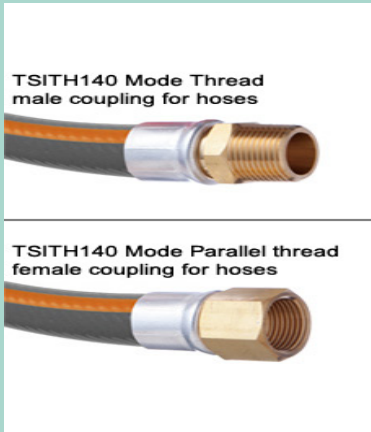


# TOYOSILICONE THERMO 140

## Heat-Resistant and Temperature Regulator Hoses

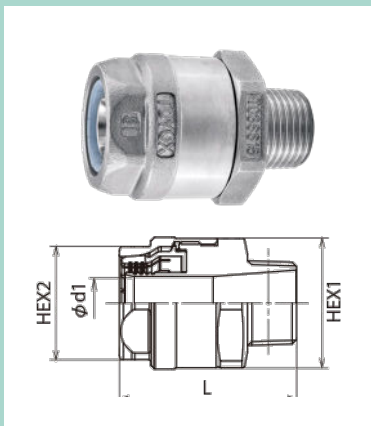
TSITH140 Types

### Threaded Fastening Couplings for the TOYOSILICONE THERMO 140 HOSE



Hose Part No.	Hose Product No.	Screw Standards	Dimensions				
			D	E	H	I	HEX
HO1B-9	TSITH140-9	R3/8	7	26	20	15	17
HO1B-12	TSITH140-12	R1/2	9.5	31	23	20	22
HO1B-19	TSITH140-19	R3/4	15	35	31	20	27
HO1B-25	TSITH140-25	R1	20.5	37	31	22	35
HO4B-9	TSITH140-9	G3/8		22	20		19
HO4B-12	TSITH140-12	G1/2		25	23		24
HO4B-19	TSITH140-19	G3/4		29	31		30
HO4B-25	TSITH140-25	G1		33	31		38

### TOYOSILICONE THERMO HOSE Coupling Standards



Hose Part No.	Inner Dia.	Outer Dia.	TOYOCONNECTOR (Nut fastening couplings)
			PIPE THREAD MALE SCS TC3-SS
TSITH140-9	9.5	16	•
TSITH140-12	12.7	19.5	•
TSITH140-15	15.9	24	•
TSITH140-19	19	28	•
TSITH140-25	25.4	35.5	•