

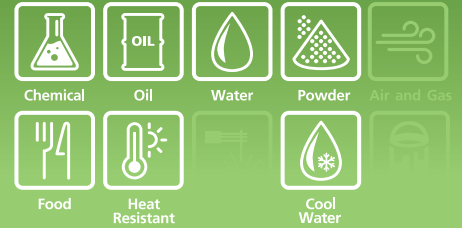
TC3-CS Type

TC3-CS Types



-20°C to 80°C

RoHS2

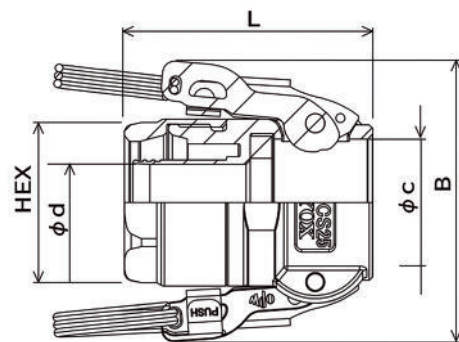
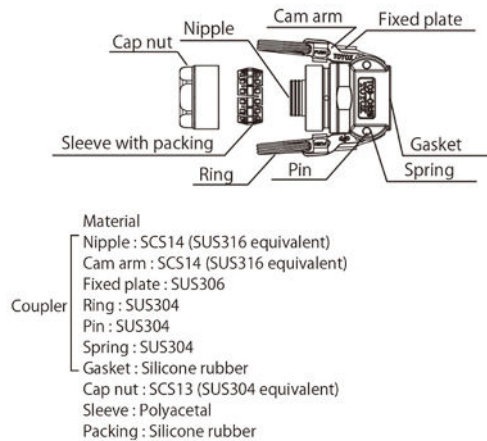


Material :

Main material : Stainless steel
Nipple, cam arm : SCS14 (equivalent to SUS 316)
Clamping plate, ring, pin, spring : SUS 304
Gasket : Silicone rubber
Cap nut : SCS13 (equivalent to SUS 304)
Sleeve : Polyacetal
Packing : Silicone rubber

Connector Feature

- Attaches securely to the hose with a special sleeve construction, eliminating fluid leaks and hose disconnections.
- Additional tightening is not needed for reduced maintenance.
- The cap nut means no bothersome clamp position adjustments or torque control so work can be standardized.
- The shape of the nipple prevents liquid pooling, making it sanitary and perfect for conveying foods and beverages.
- Unlike products requiring tightening, the hose length can be adjusted on-site for easy installation.
- Coupling units can be reused, reducing waste and cutting costs.
- The TOYOCONNECTOR-TC3-CS prevents hose problems such as leaks and disconnections due to vibration. If there is an earthquake or other disaster, it is easy to restore everything back to working order.



Technical Data

Product No.	Size (Inch)	Dimension						Weight (g)	Packaging (Pieces)
		L	φd1	A	B	C	HEX		
TC3-CS19	3/4	62.5	17.0	112.0	66.0	32.4	36	350	10
TC3-CS25	1	73.0	22.5	139.0	82.0	37.3	42	550	10

