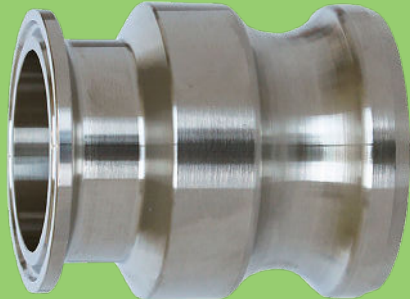


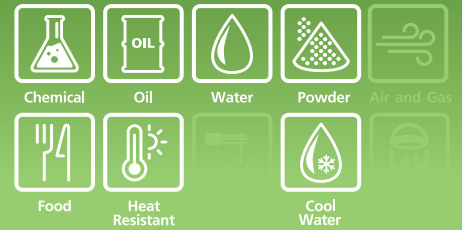
TLHA Type

TLHA Types



-5°C to 50°C

RoHS2



Material :

Stainless Steel 316L

Connector Feature

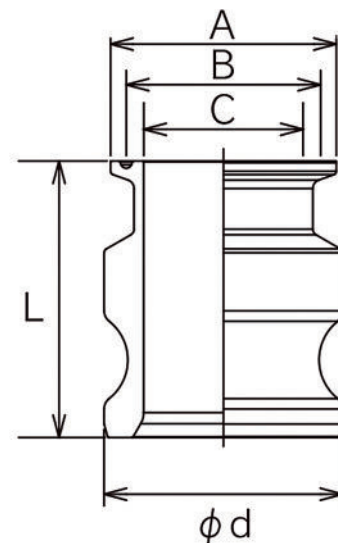
TOYOCONNECTOR TLHA is a FERRULE adapter coupling for KAMLOK COUPLERS.

- * Compatible with KAMLOK
 - * ISO2852 ferrule groove compatible item.
- (Material : SUS Couplings Specification : Ferrule)

Can be connected to KAMLOK couplers.

Important

- * When connecting the FERRULE, use a packing for ISO ferrule couplings.
- * Connect with KAMLOK and FERRULE couplings of the same material. It may lead to corrosion (electrical corrosion).
Compatible with KAMLOK COUPLER



Technical Data

Product No.	Size (Inch)	Ferrule	Dimension				
			L	ød1	A	B	C
TLHA-1.5S	1-1/2	1.5S	62	53	50.5	43.5	35.7
TLHA-2S	2	2S	67	63	64	56.5	47.8